



Perkins

ACCESSORIES | AUTOMATED SYSTEMS | HYDRAULIC LIFTERS | INDUSTRIAL LIFTERS | ACCESSORIES

MODEL D6220: TUCKAWAY® TIPPER-BAR LIFTER

This tipper-bar compatible model utilizes a simple, compact design with few moving parts. This popular unit offers the greatest ground clearance and is known for an excellent service record and reliable performance, making it a top choice for haulers across the country. Now with a more powerful 27k helical rotary actuator!



Features and Benefits

The performance you demand requires a serious machine with all the refinements that you've come to expect from the leader in the cart lifting industry.

- ◆ All new, powerful 27k Helical Actuator
- ◆ Featuring TuckAway® Lifter Performance
- ◆ Small Profile is perfect for tipper-bar equipped trucks
- ◆ Unique "Back-Saving" action grabs carts on various terrains and heights
- ◆ Minimal greasing for less maintenance
- ◆ Spring loaded lower latch is easy on cart surfaces
- ◆ UHMW upper saddle prevents scratches on carts
- ◆ ISO 9001 manufacturer
- ◆ National Service technicians for product support
- ◆ Fully staffed engineering department for custom applications

Specifications

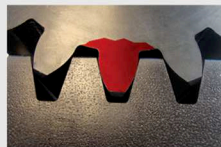
- Fully compatible to ANSI Type B carts
- Mounting height to top of plate:
Low as 38 1/2", up to 41"
- 1,550 PSI required for 400lb load
- 6-8 second cycle time @ 3 GPM
- 45 degree dump angle
- Fits most tipper-bar equipped trucks
- Safety Yellow powder-coated finish
- Self-lubricated bearings at pivot points
- Easy bolt-on/off mounting plate included
- Adjustable flow control valve
- New 3 year limited warranty

Perkins Manufacturing Company

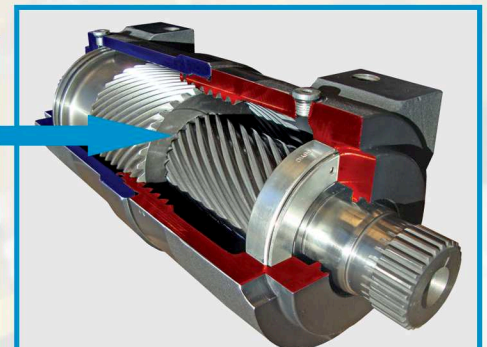
380 Veterans Parkway #110 Bolingbrook, IL 60440
 (708) 482-9500 Fax: (708) 354-5878
 Email: tuckaway@perkinsmfg.com
www.Perkinsmfg.com TOLL FREE 800-882-5292



Inside a Perkins actuator, the loads are carried by all the teeth, all the time



Inside rack & pinion systems, the loads are concentrated on only one tooth



NEW ADVANCED 27K ACTUATOR

- ◆ Higher torque & lower weight
- ◆ Two-part casted body is easier to open and service
- ◆ Fewer parts & fewer points that need sealing
- ◆ New grease points positioned to help flush away contaminants

Perkins. Route tested. Driver approved.

Model D6220 Cart Lifter, Patents 6,929,411; 6,503,045. An ISO 9001:2000 Company